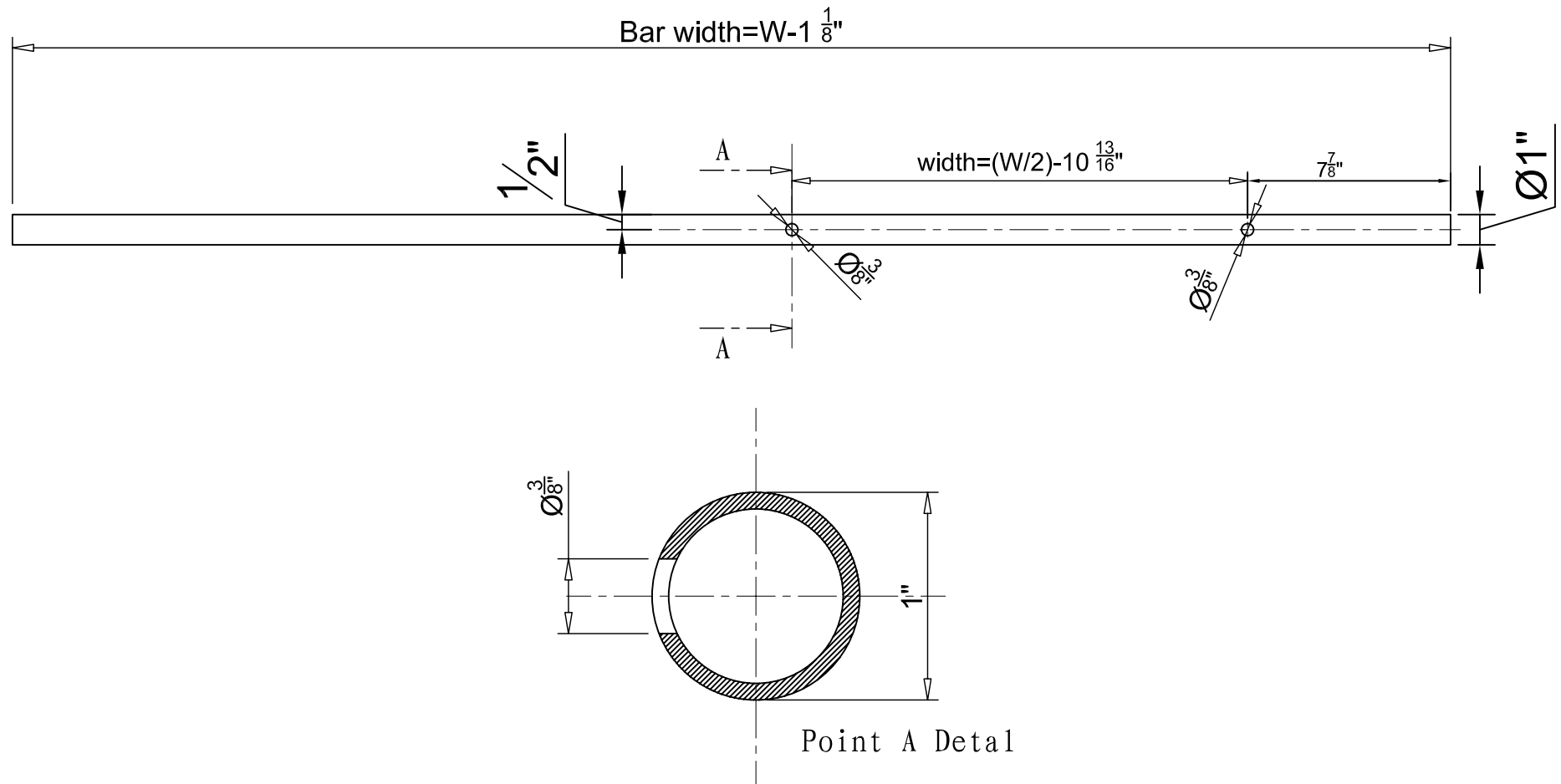
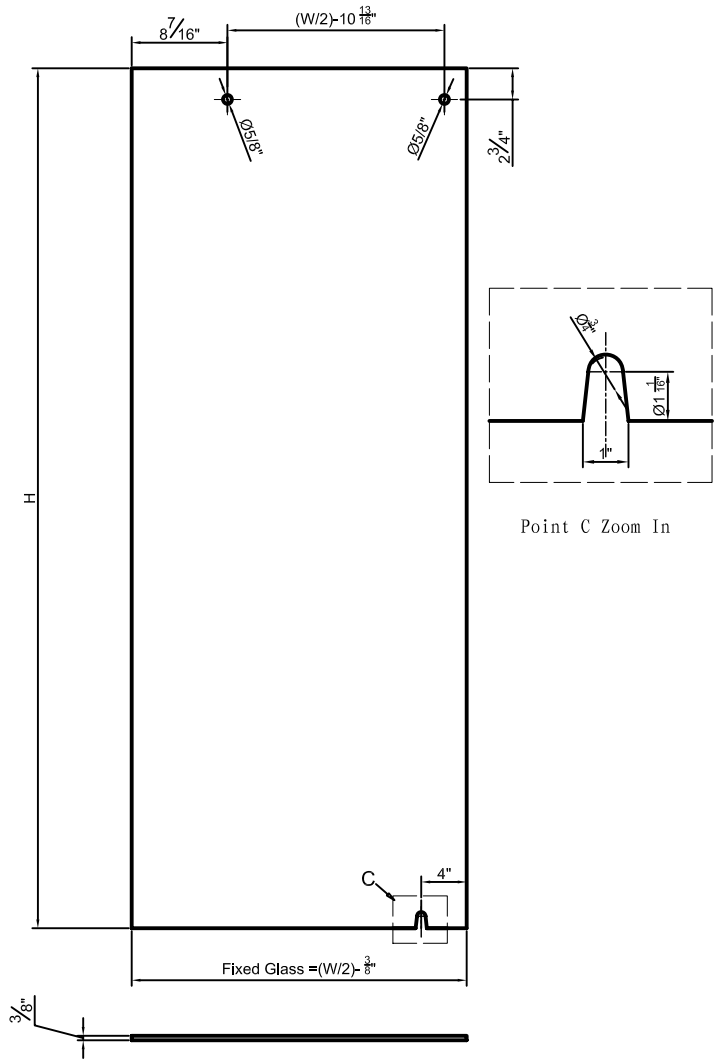


VIRGINIA SERIES 4X2 $\frac{3}{16}$ " ROLLER SYSTEM



VIRGINIA SERIES 4X2 $\frac{3}{16}$ " ROLLER SYSTEM



VIRGINIA SERIES 4X2 $\frac{3}{16}$ " ROLLER SYSTEM

